

| | | | |
|-------------|-----|------|---------|
| Version | 2.0 | Date | 1/10/17 |
| Prepared By | JC | | |

PRODUCT SPECIFICATION

| | |
|----------------------|---------------|
| Category | Downlight |
| Item Number | 7173 |
| Stock Code | LED4RL-56L50K |
| Mounting | 4" Recessed |
| Housing Color | White |



| ELECTRICAL CHARACTERISTICS | | | |
|----------------------------|------|-------------------------|-----|
| Rated Wattage (W) | 9 | Replacement Wattage (W) | 50 |
| Tested Wattage (W) | 9 | | |
| Input Voltage (V) | 120V | Surge Protect Level | - |
| Voltage Frequency (Hz) | - | Dimmable | Yes |
| Input Current (A) | - | AUX (12V) Line | - |
| Power Factor | >0.9 | | |
| THD | <20% | | |

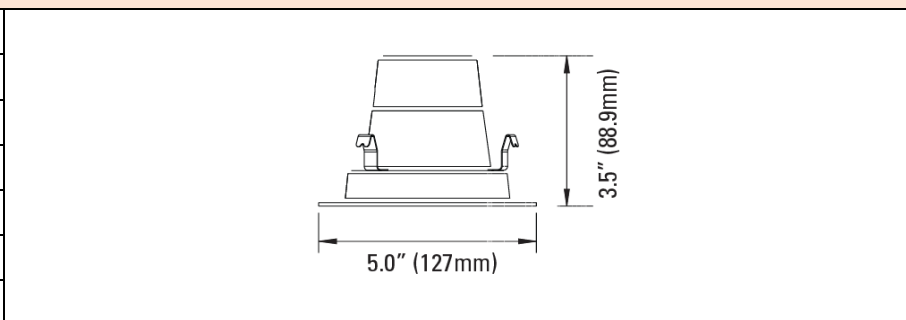
| PHOTOMETRIC CHARACTERISTICS | | | |
|-----------------------------|-----|----------------|-------|
| Lumen (lm) | 560 | CCT (K) | 5000K |
| Efficacy (lm/w) | - | Beam Angle (°) | Flood |
| CRI | >80 | | |

| GENERAL CHARACTERISTICS | |
|----------------------------|---------------|
| Operating Temperature (°F) | -4°F ~ 104° |
| Storage Temperature (°F) | -4°F ~ 113° |
| IP Rating | Damp Location |
| IK Rating | - |
| Rated Life (Hrs) | 35,000 |
| Warranty (Yrs) | 3 |

| ACCESSORIES | | |
|-------------|------------|-------------|
| Item # | Stock Code | Description |
| | | |
| | | |
| | | |
| | | |
| | | |

PRODUCT DIMENSIONS

| | | |
|----------------------|-------|------|
| Width- in / (mm) | 5.00" | 127 |
| Height- in / (mm) | 3.50" | 88.9 |
| Depth- in / (mm) | - | - |
| EPA (ft²) | - | |
| Weight (lbs) | 0.6 | |
| Mounting Height (ft) | - | |
| Cable Length (ft) | - | |



| CERTIFICATIONS | | | |
|--------------------|----|------|---|
| UL/ETL | UL | CEC | |
| NSF/ETL Sanitation | | JA8 | |
| Energy Star | ✓ | FCC | ✓ |
| DLC | | RoHs | ✓ |

| DOCUMENTS | | | |
|-----------|---|-------------|---|
| LM79 | ✓ | IES File | ✓ |
| LM80 | ✓ | Dimmer List | |
| | | | |
| | | | |

COMMENTS

| |
|--|
| |
|--|